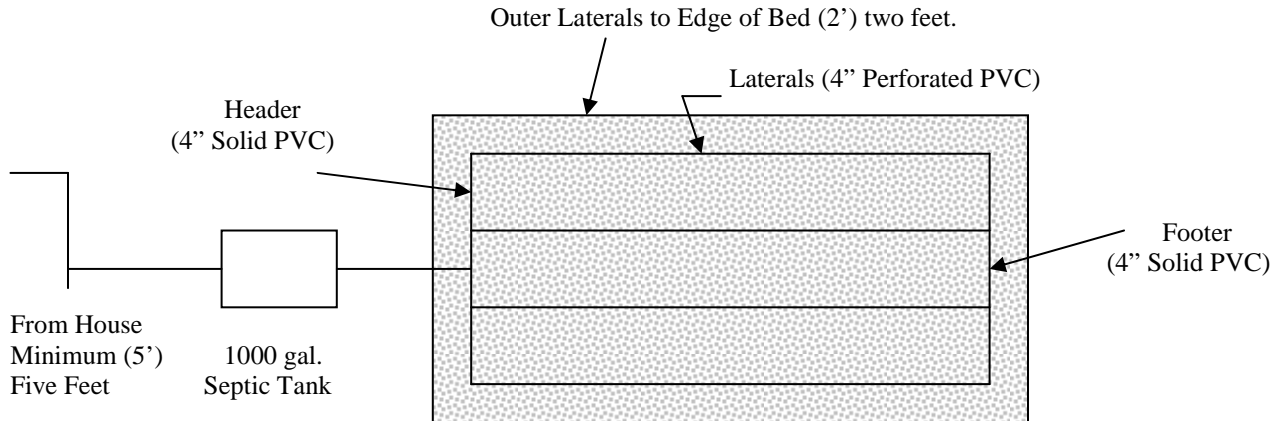
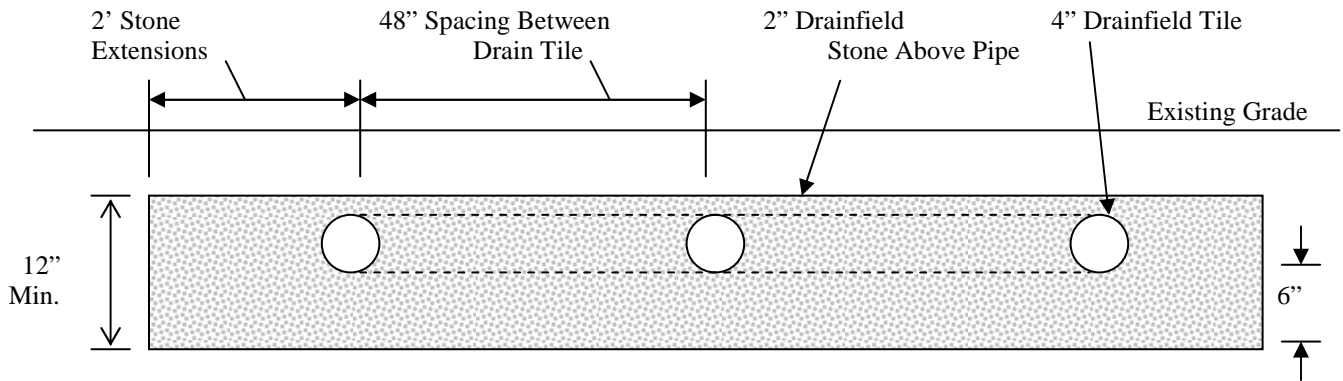


DRAINFIELD BED LAYOUT



Cross Section of Conventional Drainfield Bed

A Layer of hay, straw, or approved filter fabric material is suggested to Prevent the final earth cover from filtering down into the drainfield stone.



Proposed Specifications (Completed by Homeowner or Contractor)

Bed Area: _____ sq. ft. per Bedroom X _____ Bedrooms = _____ sq. ft. Bed Area

Bed Dimensions _____ X _____

Septic Tank Capacity _____ gallons

(with garbage disposal _____ gallons)

Lateral Dimensions _____ X _____

Spacing Between Laterals _____ inches

Number of Laterals _____