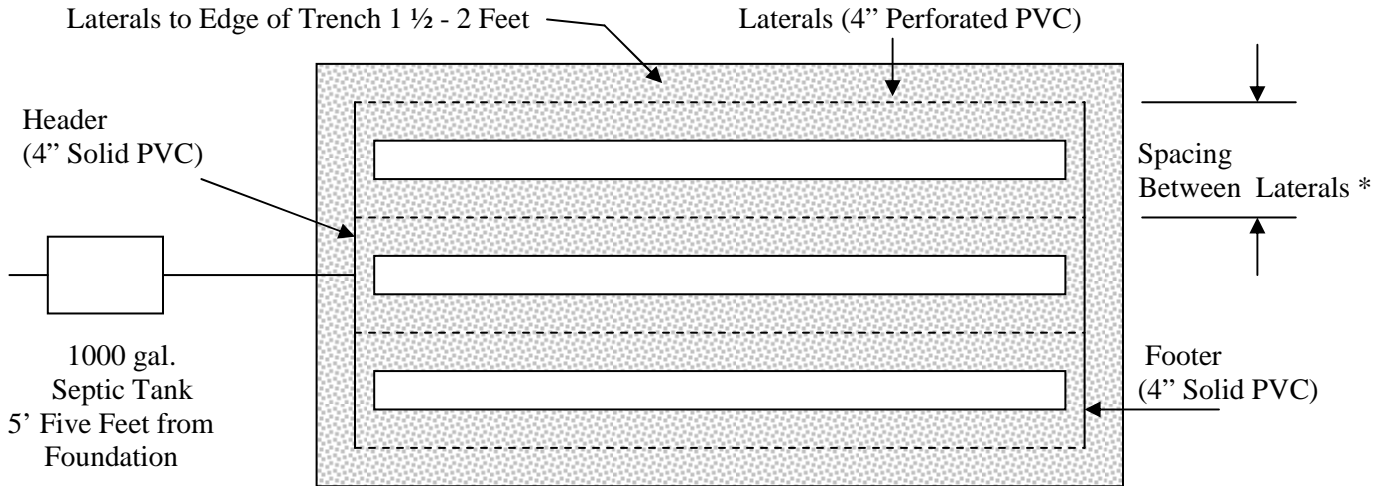
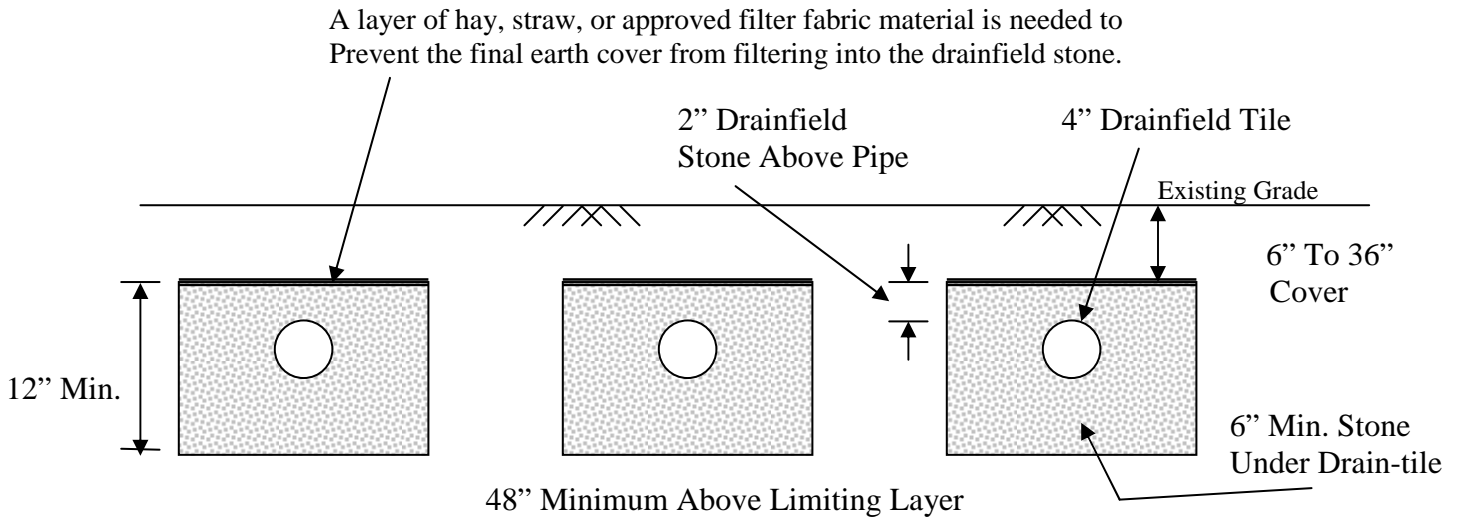


TRENCH SYSTEM LAYOUT



Cross Section of Trenches



Size and Spacing of Disposal Trenches

* Width of Trench	18"	24"	30"	36"
Spacing between Trenches	4'	5'	6'	7'

Proposed Specifications (Completed by the Homeowner or Contractor)

Trench Width: _____ In. X Trench Length: _____ Ft. X _____

Number of Trenches = _____ Sq. Ft. of Drain-field area

Septic Tank Capacity _____ Gallons, (With Garbage Disposal _____ Gallons)

Spacing Between Laterals _____ Ft.